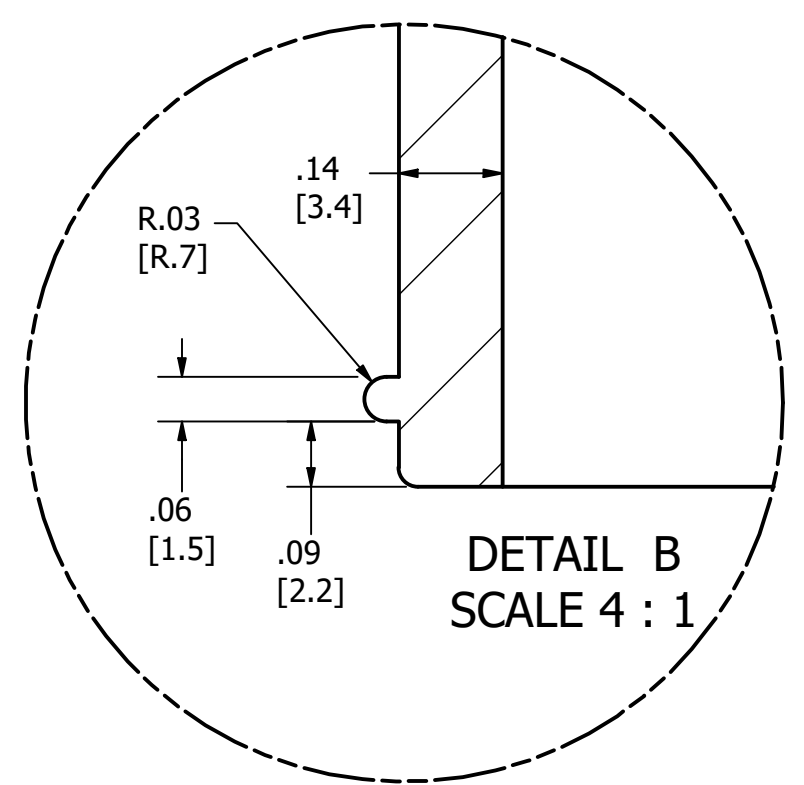



SECTION A-A  
SCALE 1 : 1



DETAIL B  
SCALE 4 : 1

DRAWN dcantrell CHECKED	8/20/2013	 <b>MIDWEST RUBBER</b> 14307 28TH PLACE NORTH PLYMOUTH, MINNESOTA 55447	TITLE	
GENERAL NOTES: ALL DIMENSIONS ARE IN INCH, SECONDARY DIMENSIONS ARE METRIC. UNLESS OTHERWISE SPECIFIED ALL DIMENSIONS ARE AFTER TREATMENTS AND FINISHES			DO NOT SCALE DRAWING	
PROPRIETARY INFORMATION: THE INFORMATION CONTAINED IN THIS DRAWING IS FOR THE SOLE PROPERTY OF MIDWEST RUBBER. ANY REPRODUCTION WITHOUT THE WRITTEN PERMISSION OF MIDWEST RUBBER IS PROHIBITED. DRAWING IS USED FOR INFORMATIONAL PURPOSES ONLY, ANY PRODUCTION OF DRAWING CONTENTS REQUIRES WRITTEN APPROVAL.		TOLERANCE TABLE X.X ± .06 [1.5] X.XX ± .03 [.8] X.XXX ± .015 [.4]		SIZE C
		SCALE	PART NO 32221 [SM 19]	REV 00
			SHEET 1 OF 1	