

4

3

2

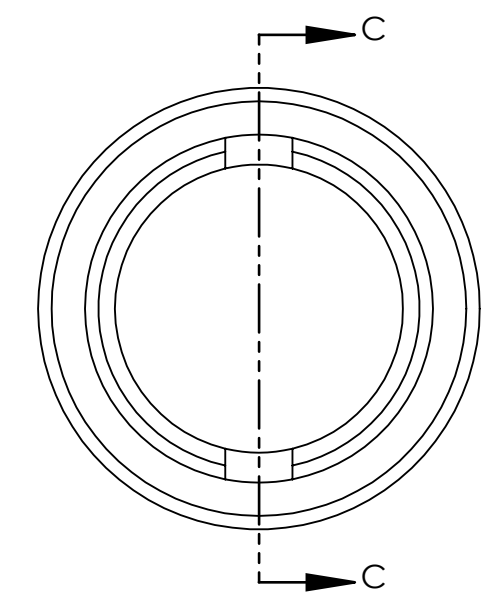
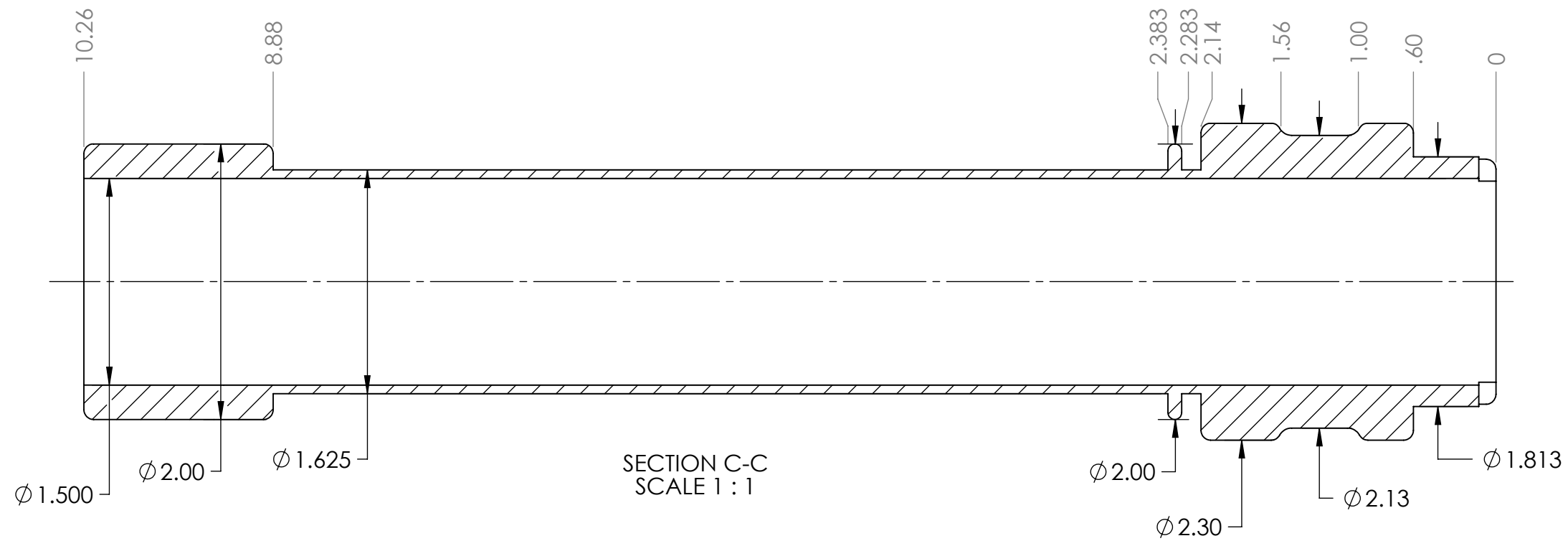
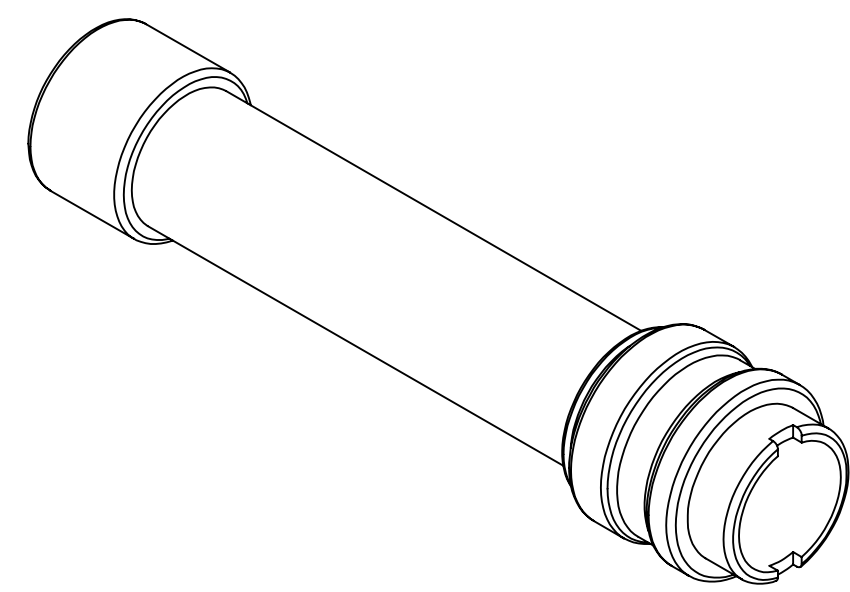
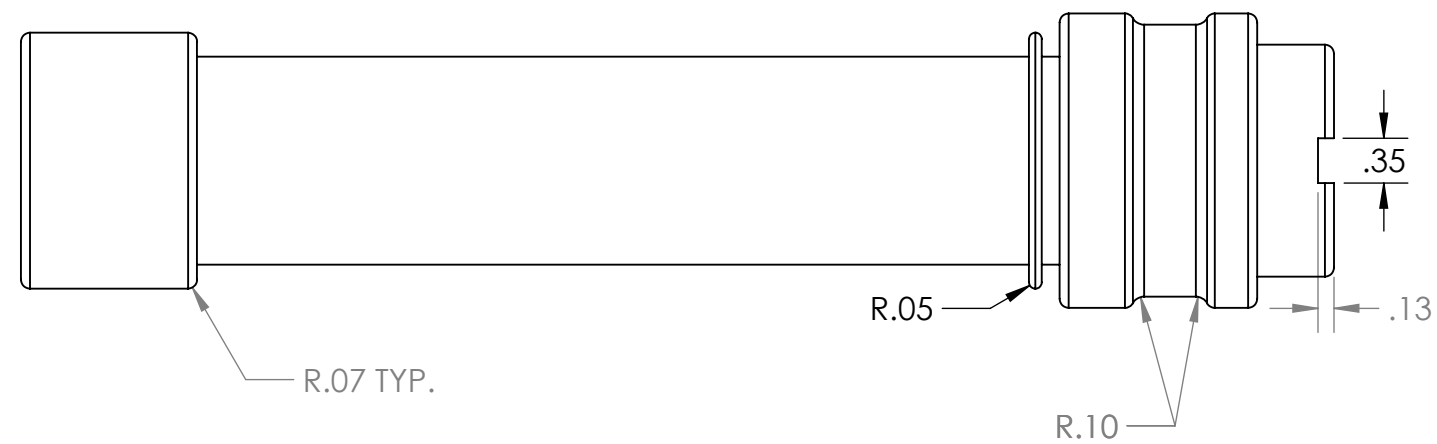
1

B

B

A

A



PROPRIETARY AND CONFIDENTIAL
 THE INFORMATION CONTAINED IN THIS DRAWING IS THE SOLE PROPERTY OF MIDWEST RUBBER SERVICE & SUPPLY CO. ANY REPRODUCTION IN PART OR AS A WHOLE WITHOUT THE WRITTEN PERMISSION OF MIDWEST RUBBER SERVICE & SUPPLY CO. IS PROHIBITED.

		UNLESS OTHERWISE SPECIFIED:		NAME	DATE	MIDWEST RUBBER SERVICE & SUPPLY CO. PART NO. 32236 [SM49] DESC. 1.5" Pinch Cuff
		DIMENSIONS ARE IN INCHES TOLERANCES: FRACTIONAL ± ANGULAR: MACH ± BEND ± TWO PLACE DECIMAL ± .03 THREE PLACE DECIMAL ± .01		DRAWN	BWD 12/15/17	
		INTERPRET GEOMETRIC TOLERANCING PER:		CHECKED		SIZE B DWG. NO. 01 SCALE: 1:2 WEIGHT: SHEET 1 OF 1
		MATERIAL		ENG APPR.		
NEXT ASSY	USED ON	FINISH		MFG APPR.		
APPLICATION		DO NOT SCALE DRAWING		Q.A.		
				COMMENTS:		