

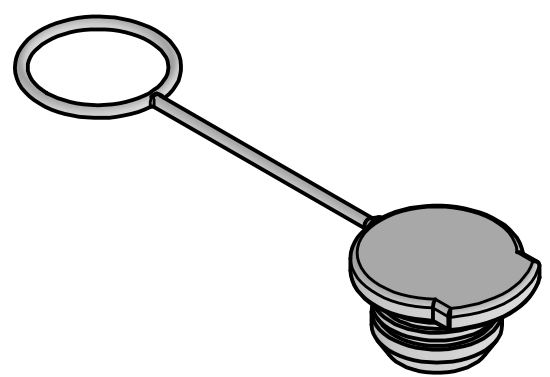
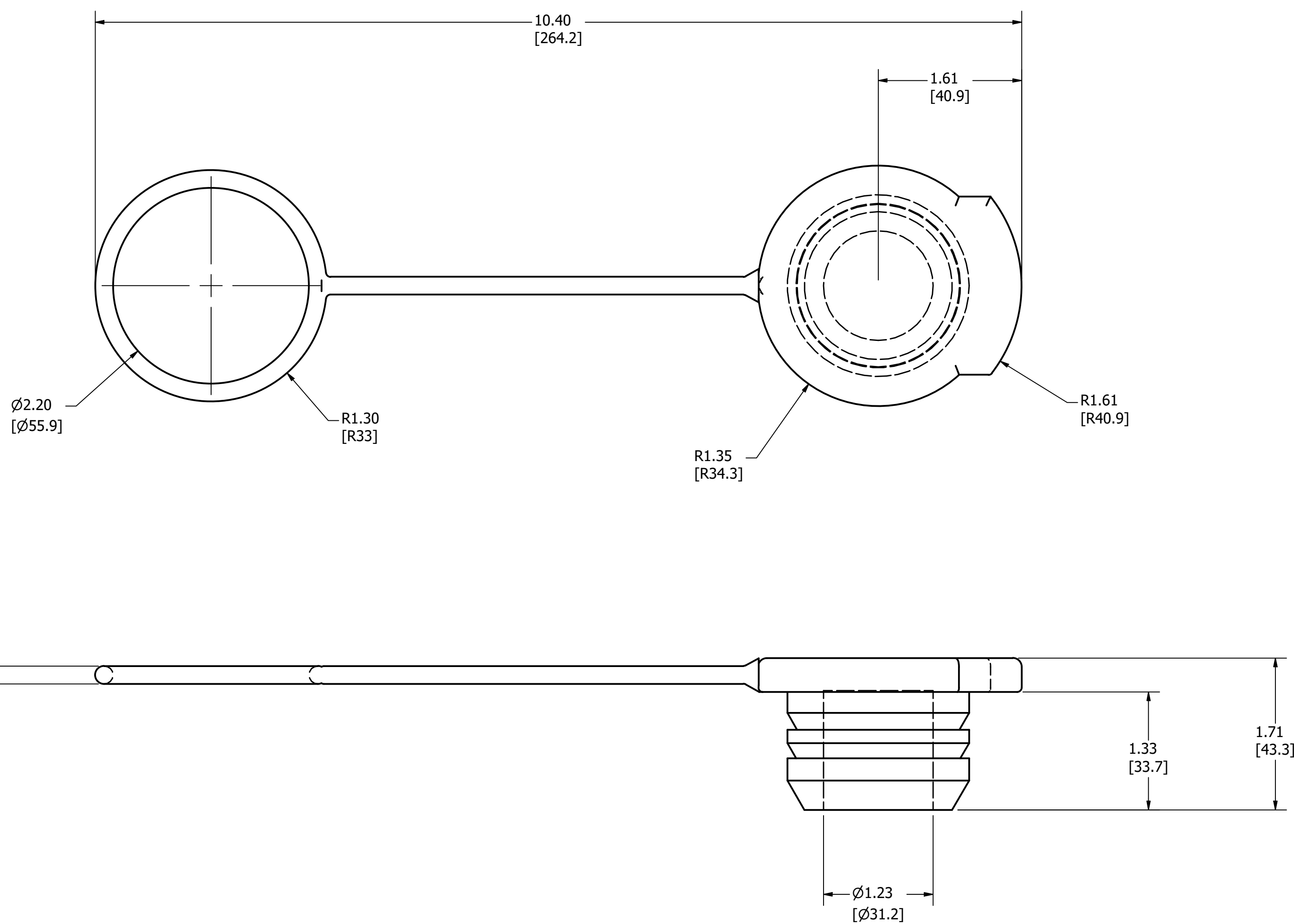
4 3 2 1


D

C

B

A



DRAWN dcantrell CHECKED	1/6/2023	 MIDWEST RUBBER	14307 28TH PLACE NORTH PLYMOUTH, MINNESOTA 55447			
GENERAL NOTES: ALL DIMENSIONS ARE IN INCH, SECONDARY DIMENSIONS ARE METRIC. UNLESS OTHERWISE SPECIFIED ALL DIMENSIONS ARE AFTER TREATMENTS AND FINISHES			TITLE 2" Push Plug			
PROPRIETARY INFORMATION: THE INFORMATION CONTAINED IN THIS DRAWING IS FOR THE SOLE PROPERTY OF MIDWEST RUBBER. ANY REPRODUCTION WITHOUT THE WRITTEN PERMISSION OF MIDWEST RUBBER IS PROHIBITED. DRAWING IS USED FOR INFORMATIONAL PURPOSES ONLY, ANY PRODUCTION OF DRAWING CONTENTS REQUIRES WRITTEN APPROVAL.		DO NOT SCALE DRAWING	TOLERANCE TABLE	SIZE C	PART NO 32216 [SM 44]	REV 00
		X.X ± .06 [1.5] X.XX ± .03 [.8] X.XXX ± .015 [.4]	SCALE	SHEET 1 OF 1		