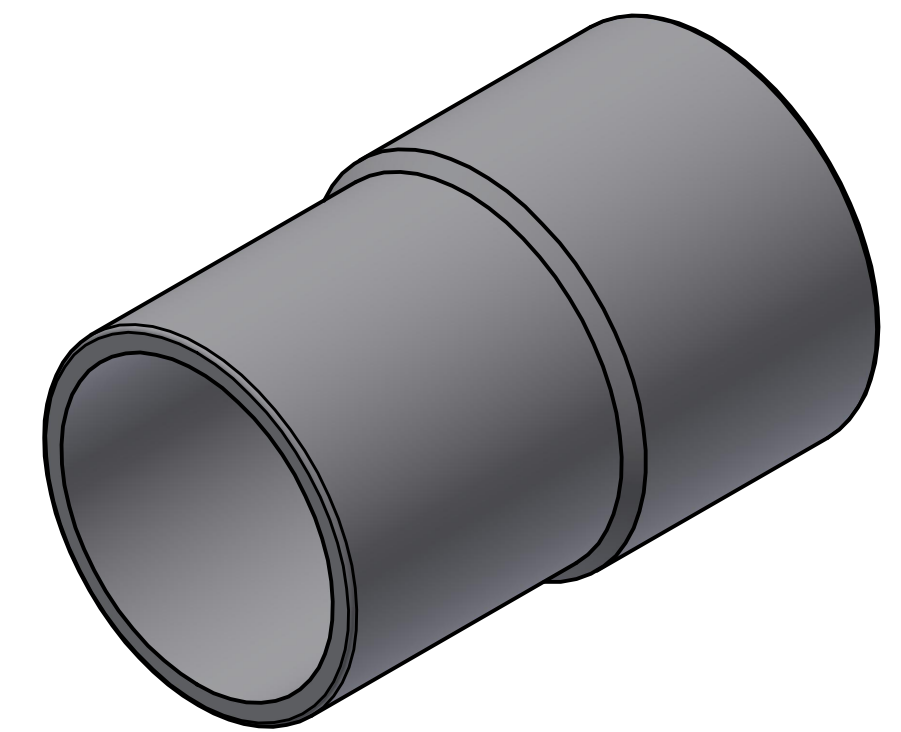



SECTION A-A  
SCALE 1 : 1



DRAWN dcantrell CHECKED	2/9/2012	 <b>MIDWEST RUBBER</b> 14307 28TH PLACE NORTH PLYMOUTH, MINNESOTA 55447	
GENERAL NOTES: ALL DIMENSIONS ARE IN INCH, SECONDARY DIMENSIONS ARE METRIC. UNLESS OTHERWISE SPECIFIED ALL DIMENSIONS ARE AFTER TREATMENTS AND FINISHES		TITLE <b>2.0" Long Cuff</b>	
PROPRIETARY INFORMATION: THE INFORMATION CONTAINED IN THIS DRAWING IS FOR THE SOLE PROPERTY OF MIDWEST RUBBER. ANY REPRODUCTION WITHOUT THE WRITTEN PERMISSION OF MIDWEST RUBBER IS PROHIBITED. DRAWING IS USED FOR INFORMATIONAL PURPOSES ONLY, ANY PRODUCTION OF DRAWING CONTENTS REQUIRES WRITTEN APPROVAL.		DO NOT SCALE DRAWING	TOLERANCE TABLE
		X.X ± .06 [1.5] X.XX ± .03 [.8] X.XXX ± .015 [.4]	SIZE <b>C</b>
		SCALE	PART NO <b>32259 [SM 38]</b>
		REV <b>00</b>	
		SHEET 1 OF 1	