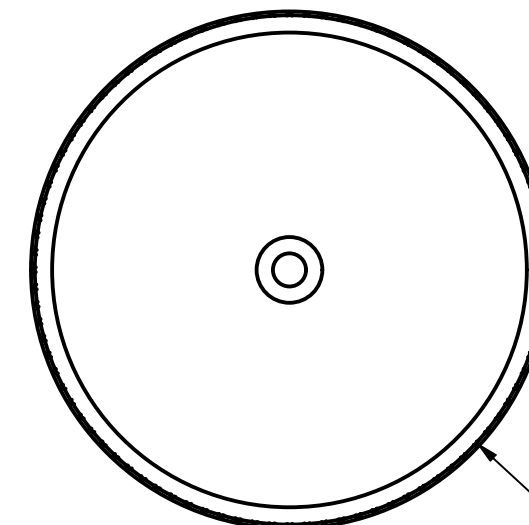
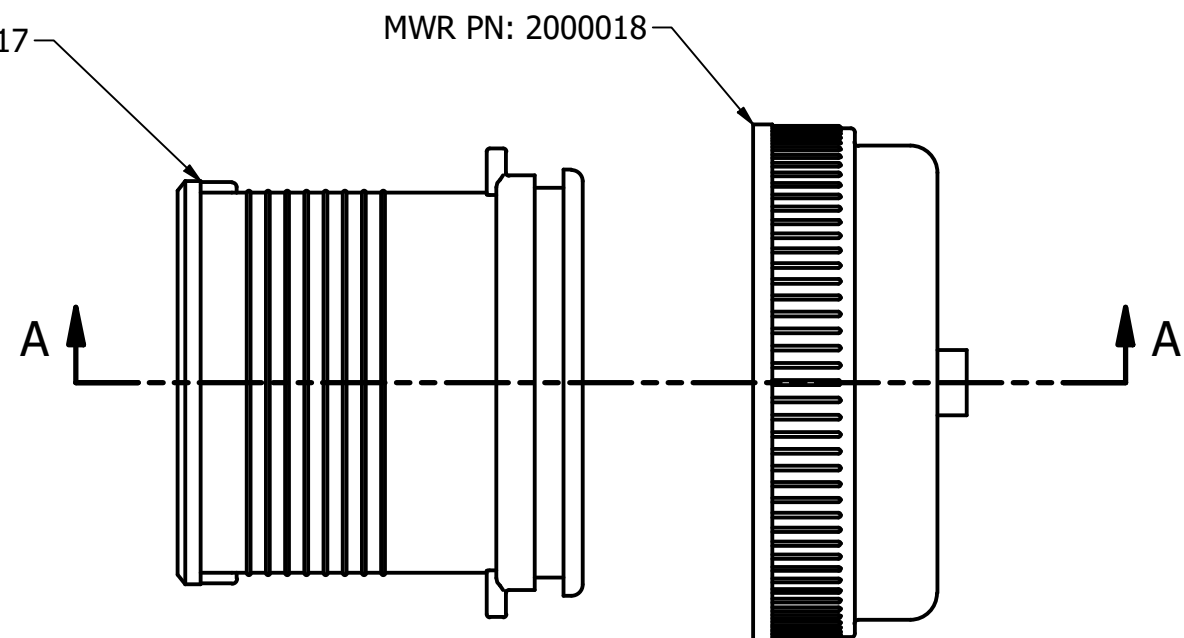
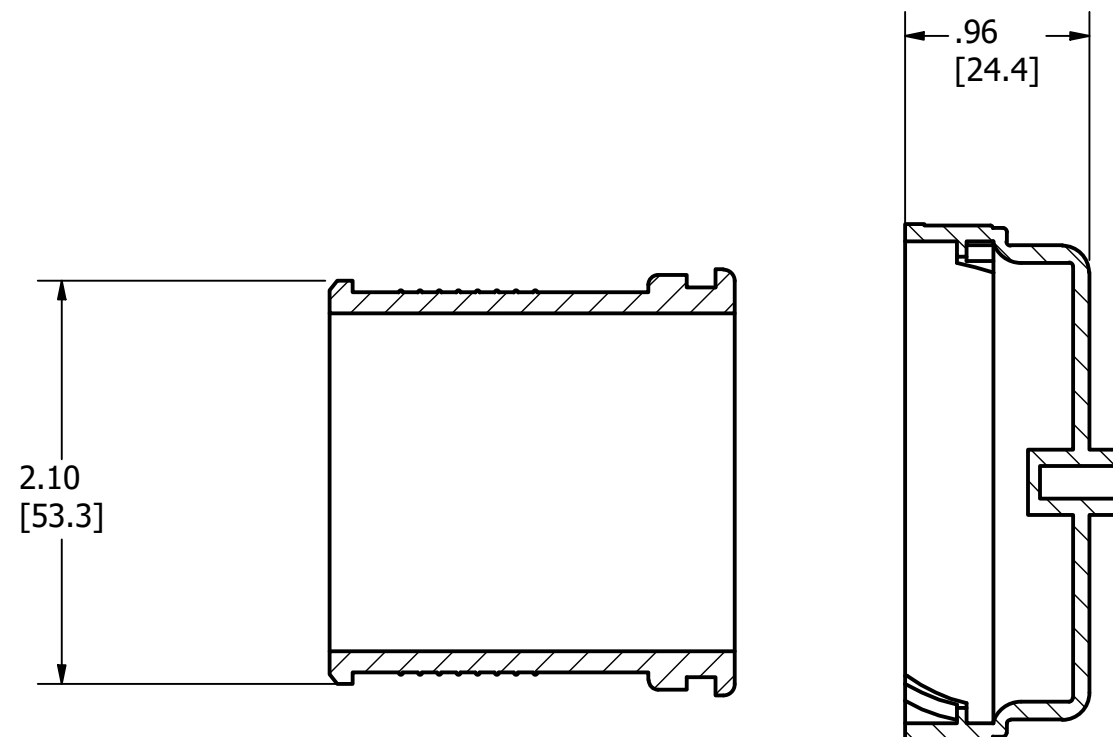


MWR PN: 2000017

MWR PN: 2000018



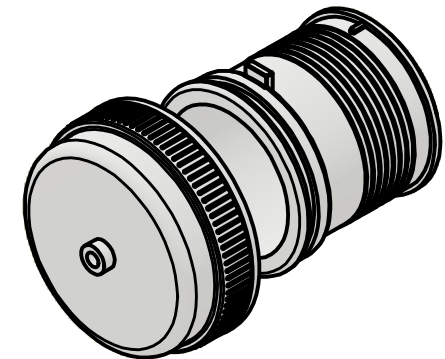
Ø2.69
[Ø68.3]




2.10
[53.3]

.96
[24.4]

SECTION A-A
SCALE 1 : 1



NOTE:
 REFER TO CAD MODEL FOR ANY UNSPECIFIED DIMENSIONS
 FITS 2.0" ID CUFFS
 AVAILABLE IN BLACK
 STAINLESS STEEL WASHER AND SCREW (NOT SHOWN) PROVIDED WITH ASSEMBLY

DRAWN dcantrell CHECKED	6/5/2023	 MIDWEST RUBBER	14307 28TH PLACE NORTH PLYMOUTH, MINNESOTA 55447			
GENERAL NOTES: ALL DIMENSIONS ARE IN INCH, SECONDARY DIMENSIONS ARE METRIC. UNLESS OTHERWISE SPECIFIED ALL DIMENSIONS ARE AFTER TREATMENTS AND FINISHES			TITLE Quarter turn cap and sleeve assembly			
PROPRIETARY INFORMATION: THE INFORMATION CONTAINED IN THIS DRAWING IS FOR THE SOLE PROPERTY OF MIDWEST RUBBER. ANY REPRODUCTION WITHOUT THE WRITTEN PERMISSION OF MIDWEST RUBBER IS PROHIBITED. DRAWING IS USED FOR INFORMATIONAL PURPOSES ONLY, ANY PRODUCTION OF DRAWING CONTENTS REQUIRES WRITTEN APPROVAL.		DO NOT SCALE DRAWING	TOLERANCE TABLE	SIZE C	PART NO 2000017 / 2000018	REV 00
		X.X ± .06 [1.5] X.XX ± .03 [.8] X.XXX ± .015 [.4]	SCALE	SHEET 1 OF 1		